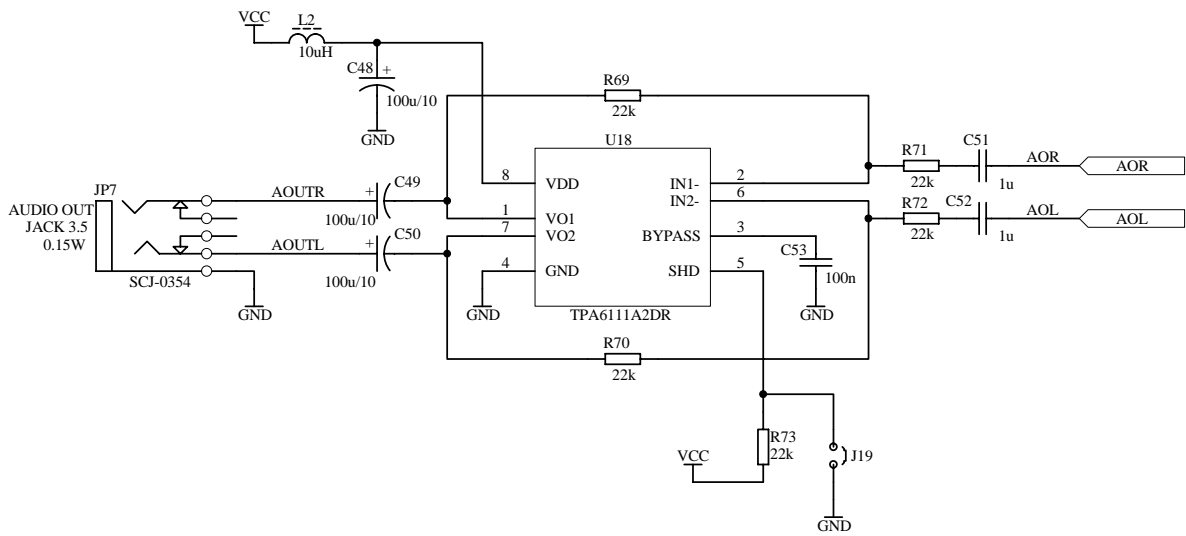
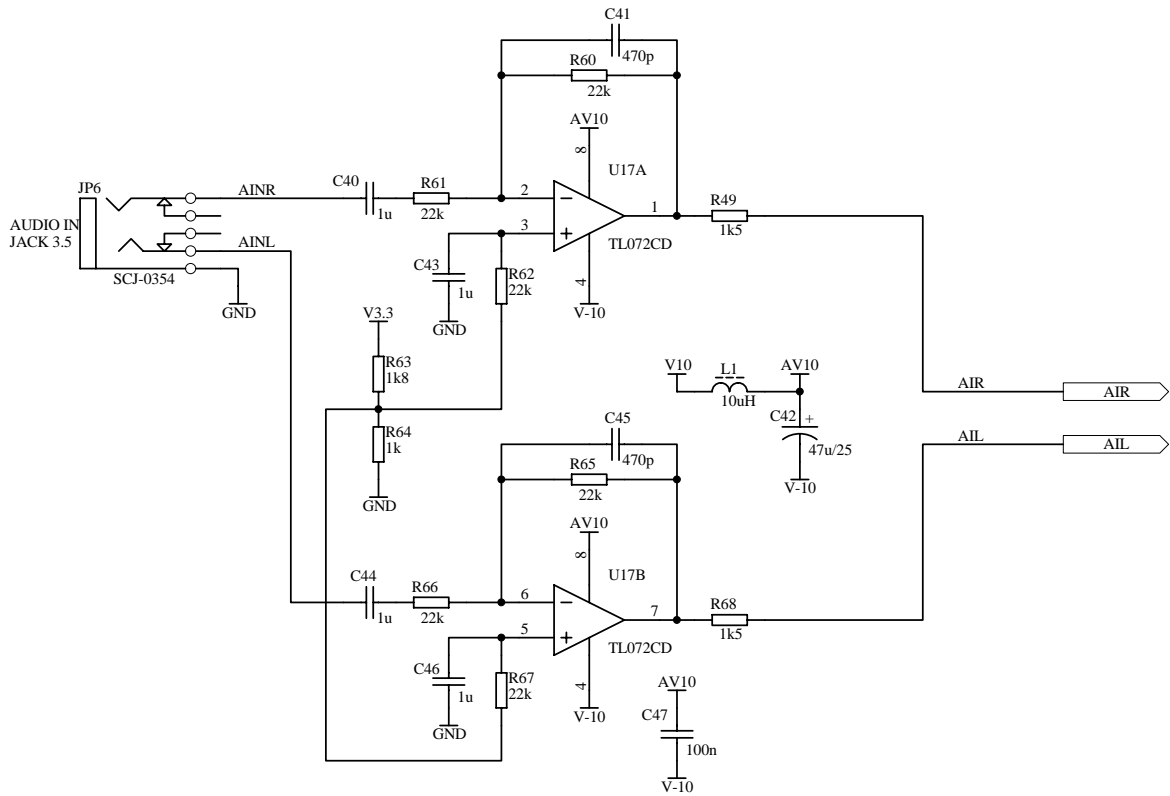
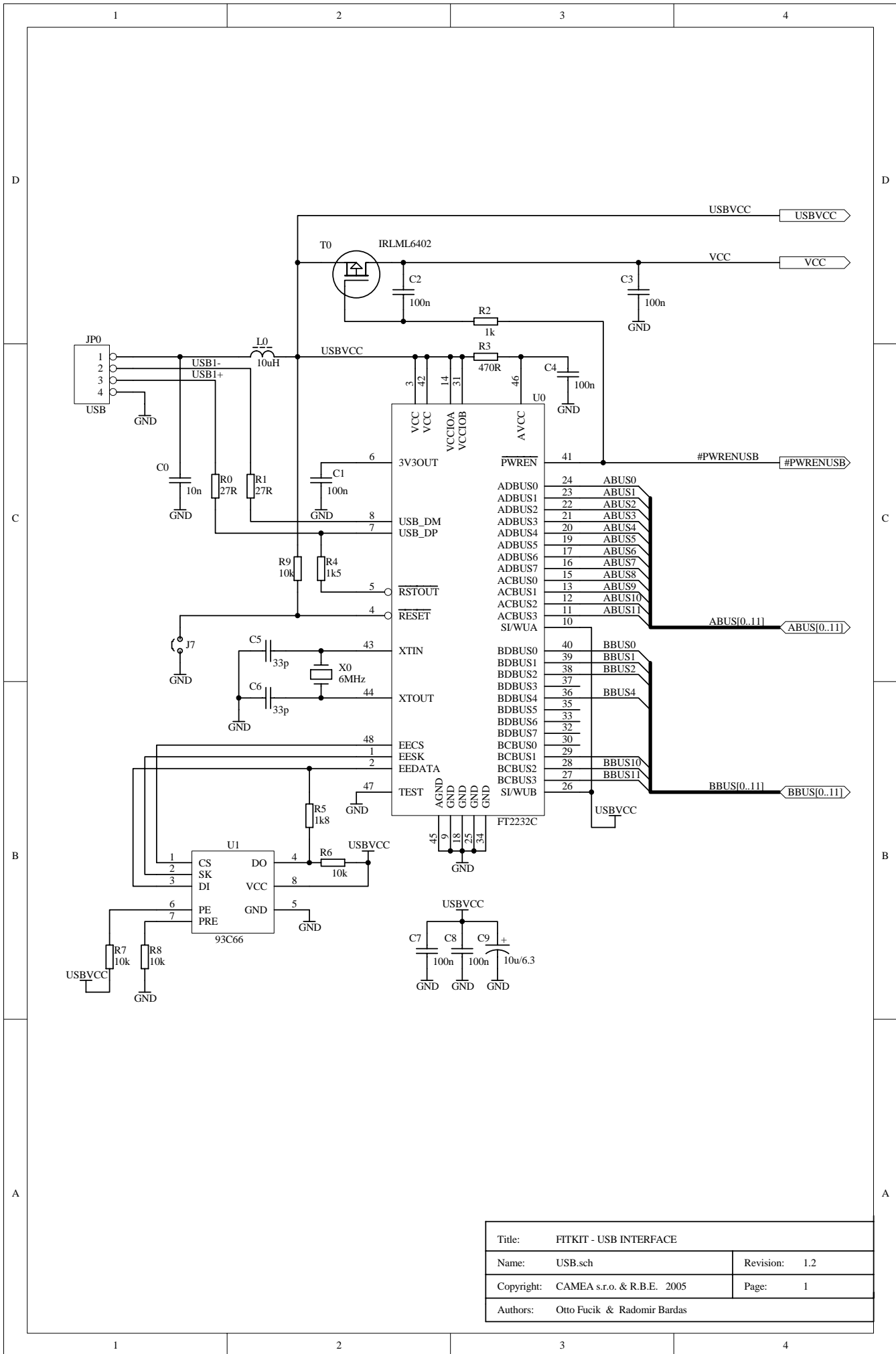


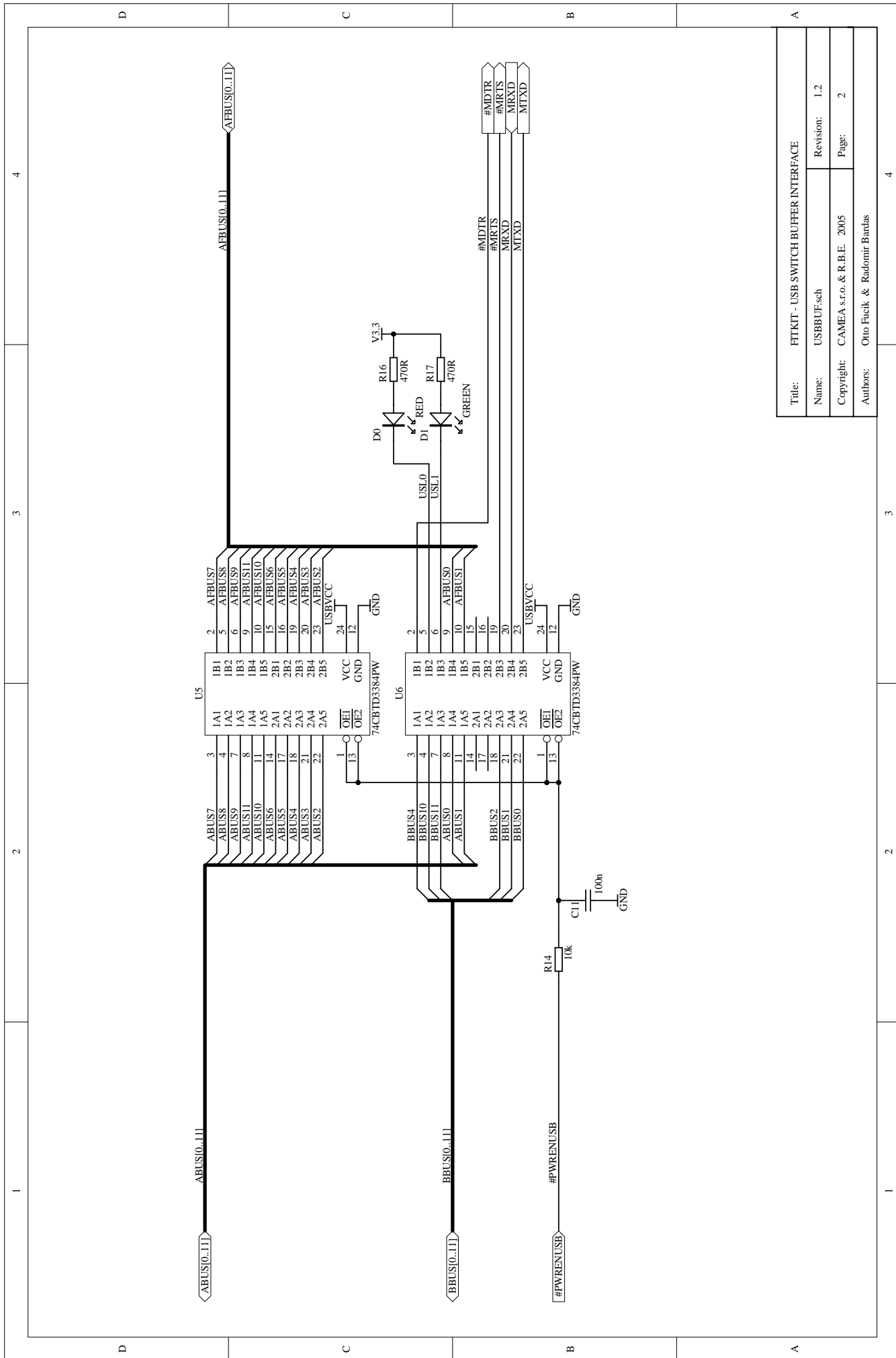
Title: FITKIT - ENTIRE DESIGN	
Name: FITKIT.sch	Revision: 1.2
Copyright: CAMEA s.r.o. & R.B.E. 2005	Page: 0
Authors: Otto Fucik & Radoslir Bardas	



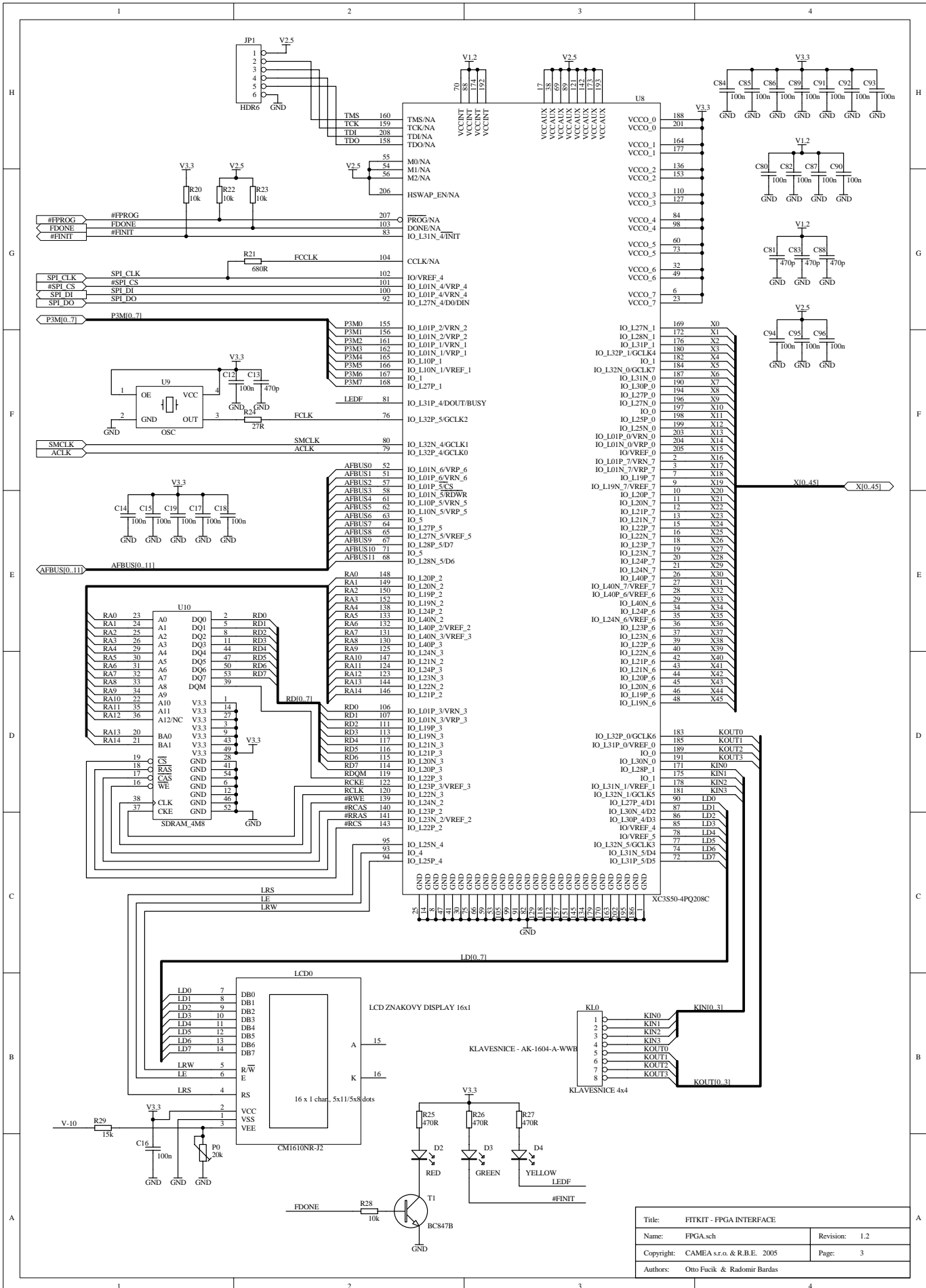
Title: FITKIT - AUDIO INTERFACE	
Name: AUDIO.sch	Revision: 1.2
Copyright: CAMEA s.r.o. & R.B.E. 2005	Page: 6
Authors: Otto Fucik & Radomir Bardas	



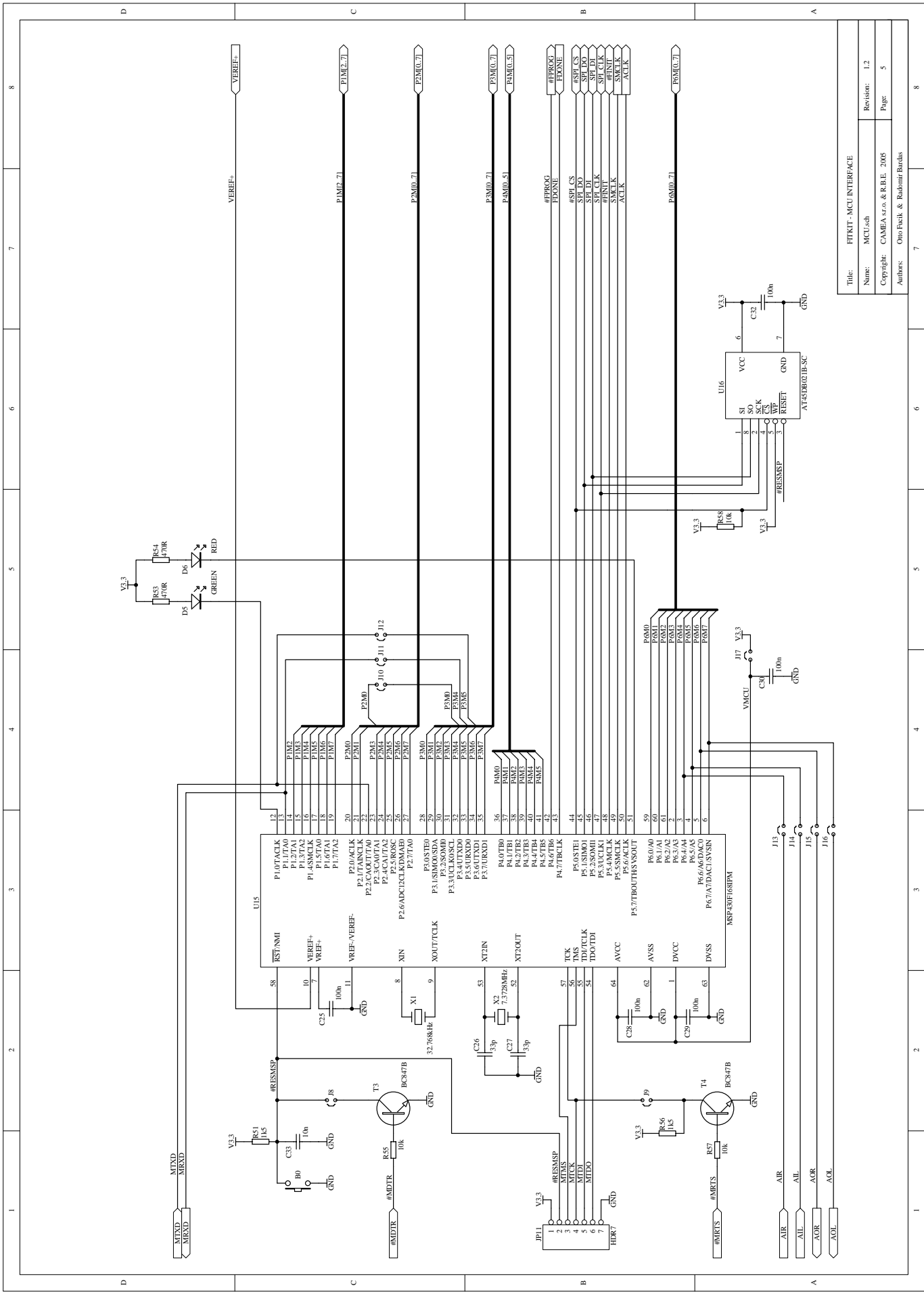
Title: FITKIT - USB INTERFACE	
Name: USB.sch	Revision: 1.2
Copyright: CAMEA s.r.o. & R.B.E. 2005	Page: 1
Authors: Otto Fucik & Radomir Bardas	



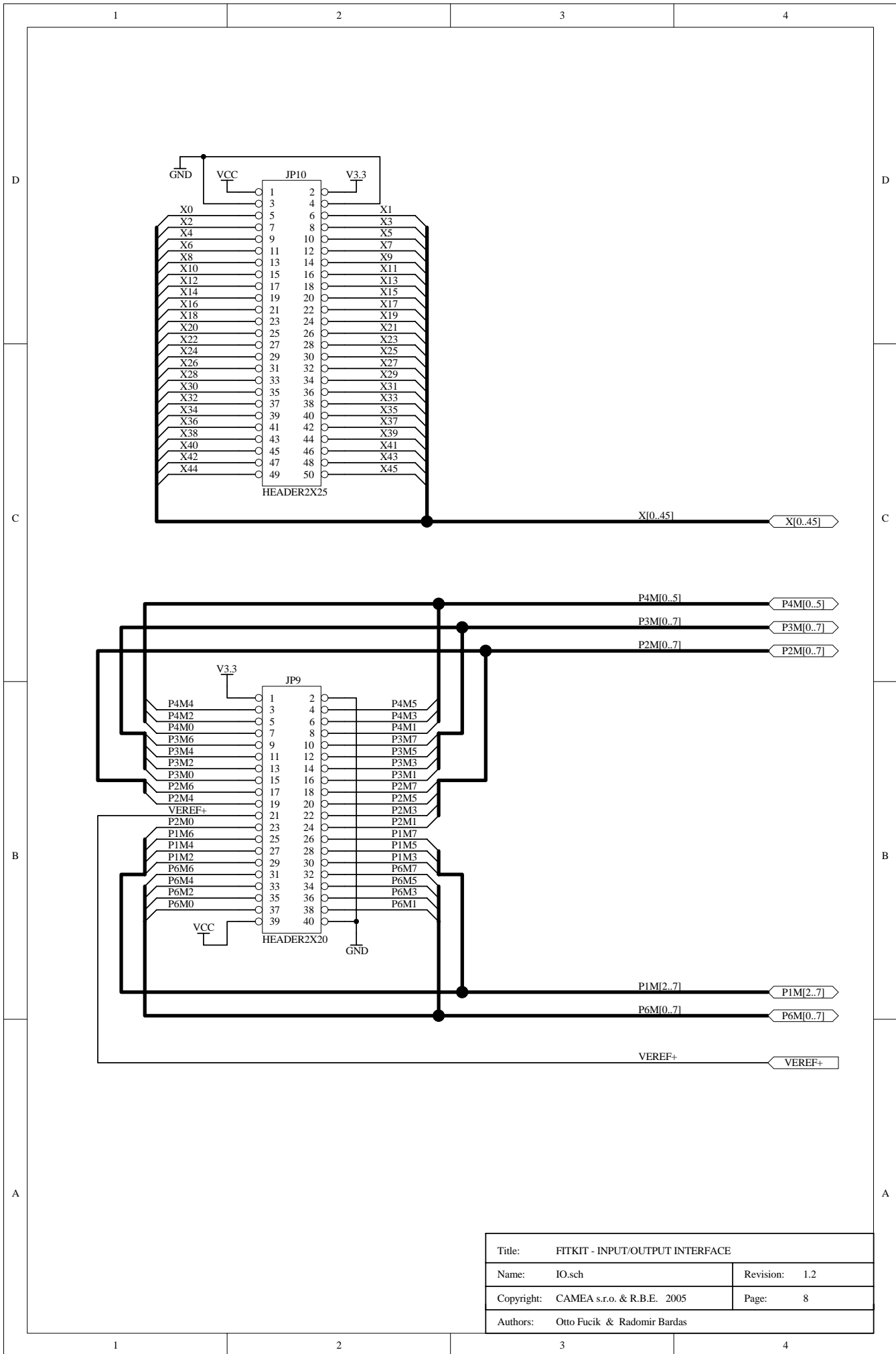
Title: FITKIT - USB SWITCH BUFFER INTERFACE	
Name: USBBUF.sch	Revision: 1.2
Copyright: CAMEA s.r.o. & R.B.E. 2005	Page: 2
Authors: Otto Fucik & Radosmir Bardas	



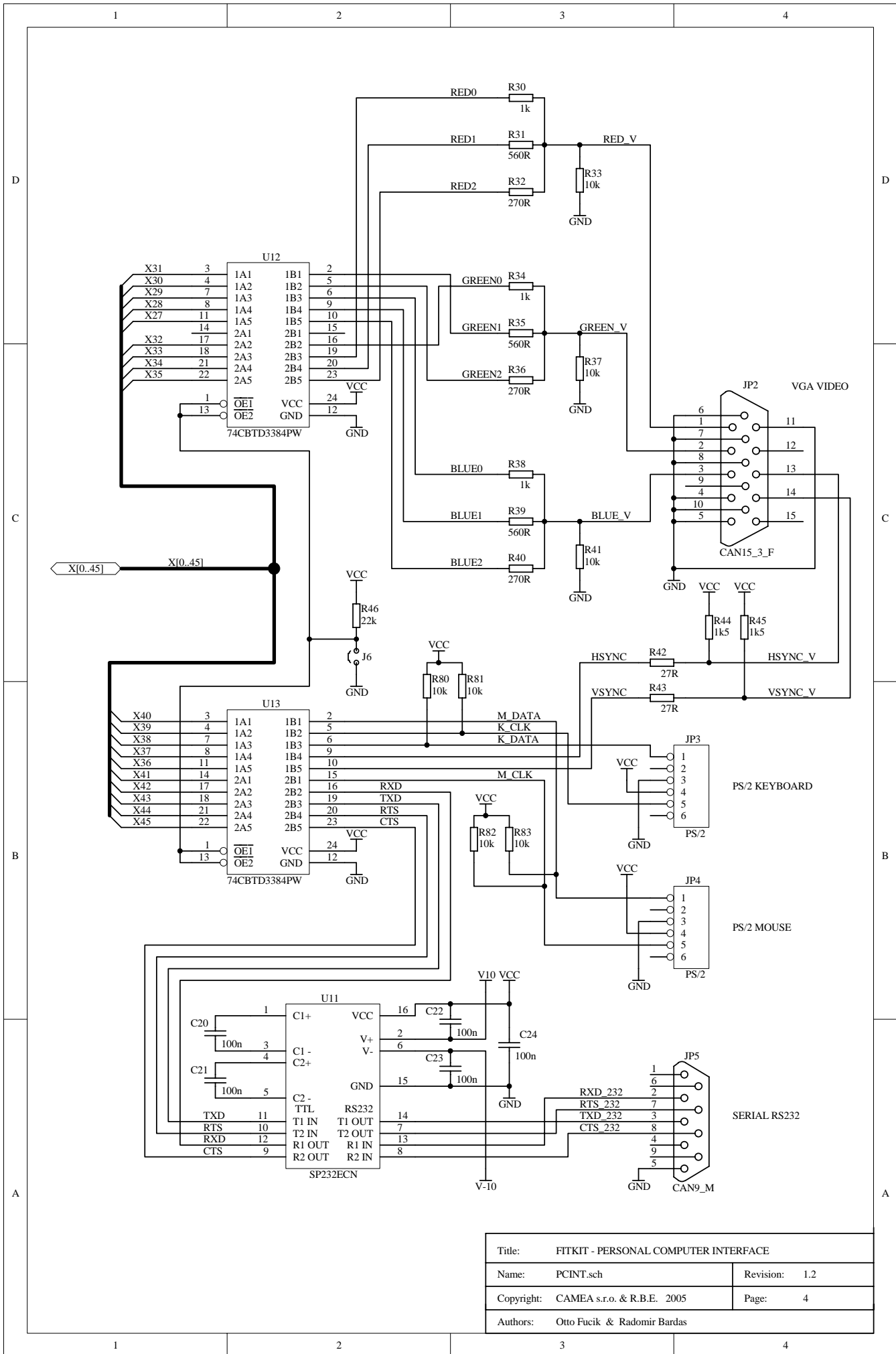
Title: FITKIT - FPGA INTERFACE	
Name: FPGA.sch	Revision: 1.2
Copyright: CAMEA s.r.o. & R.B.E. 2005	Page: 3
Authors: Otto Fucik & Radomir Bardas	



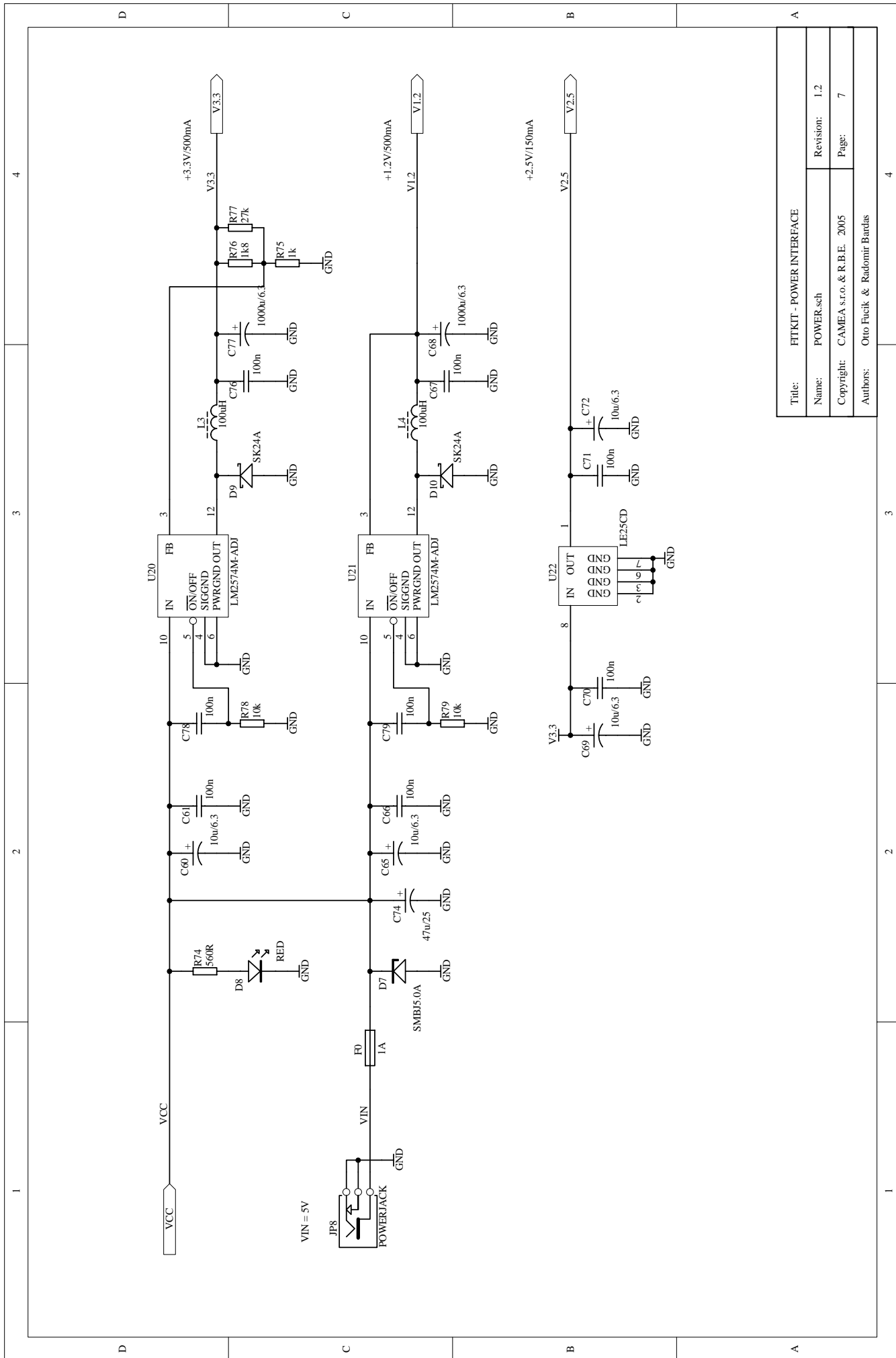
Title:	FFKIT-MCU INTERFACE
Name:	MCU.sch
Copyright:	CAMEA s.r.o. & R.B.E. 2005
Authors:	Otto Fackl & Radomir Burdus
Revision:	1.2
Page:	5



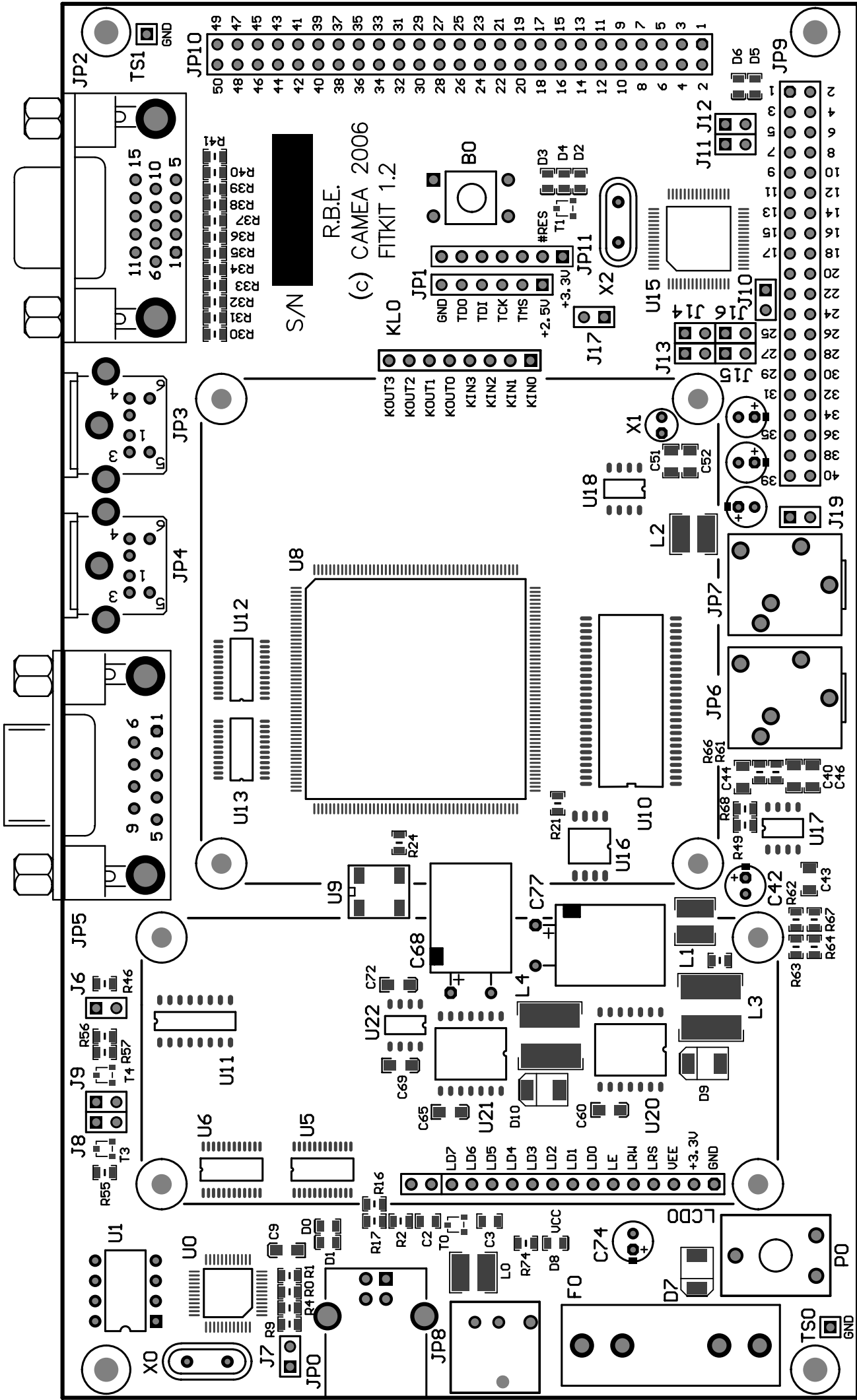
Title: FITKIT - INPUT/OUTPUT INTERFACE	
Name: IO.sch	Revision: 1.2
Copyright: CAMEA s.r.o. & R.B.E. 2005	Page: 8
Authors: Otto Fucik & Radomir Bardas	



Title: FITKIT - PERSONAL COMPUTER INTERFACE	
Name: PCINT.sch	Revision: 1.2
Copyright: CAMEA s.r.o. & R.B.E. 2005	Page: 4
Authors: Otto Fucik & Radomir Bardas	



Title: FITKIT - POWER INTERFACE	
Name: POWER.sch	Revision: 1.2
Copyright: CAMEA s.r.o. & R.B.E. 2005	Page: 7
Authors: Otto Fucik & Radoslir Bardas	

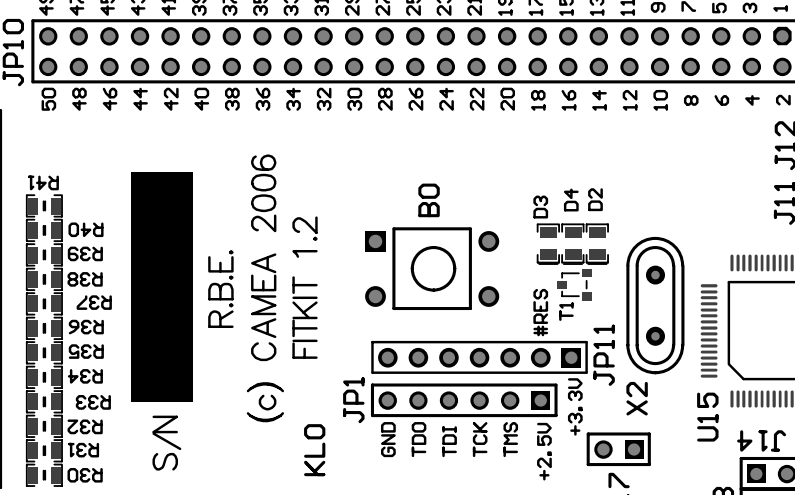


(c) CAMEA 2006

FITKIT 1.2

S/N

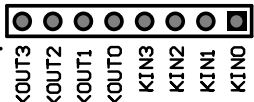
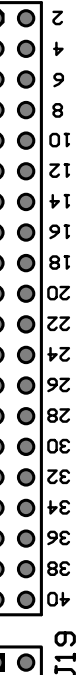
R.B.E.



J11 J12

D6
D5

JP9



KLO

KOUT3
KOUT2
KOUT1
KOUT0
KIN3
KIN2
KIN1
KIN0

JP1

GND
TDO
TDI
TCK
TMS

+2.5V

+3.3V

#RES

T1

D3
D4
D2

JP11

J17

X2

U15

J13

J10

U18

X1

C51
C52

L2

JP7

JP6

R66
R61
R68
C44
C46

C40
C46

R49
R62
C42
C43
C40
C46

R63
R64
R67
R64
R67

U17

U16

U10

R21

U16

U10

L4

C77

L1
L3

D9

U20

D10

C60

U21

C65

C69

U22

C72

C68

U9

R24

U11

U6

U5

J8

R55

T3

J9

R56

T4

R57

J6

R46

JP5

U1

U0

C9

D0

R4

R0R1

D1

J7

R9

R17

R2

C2

T0

C3

L0

R74

D8

UCC

JP8

F0

C74

D7

LC08

P0

TS0

GND