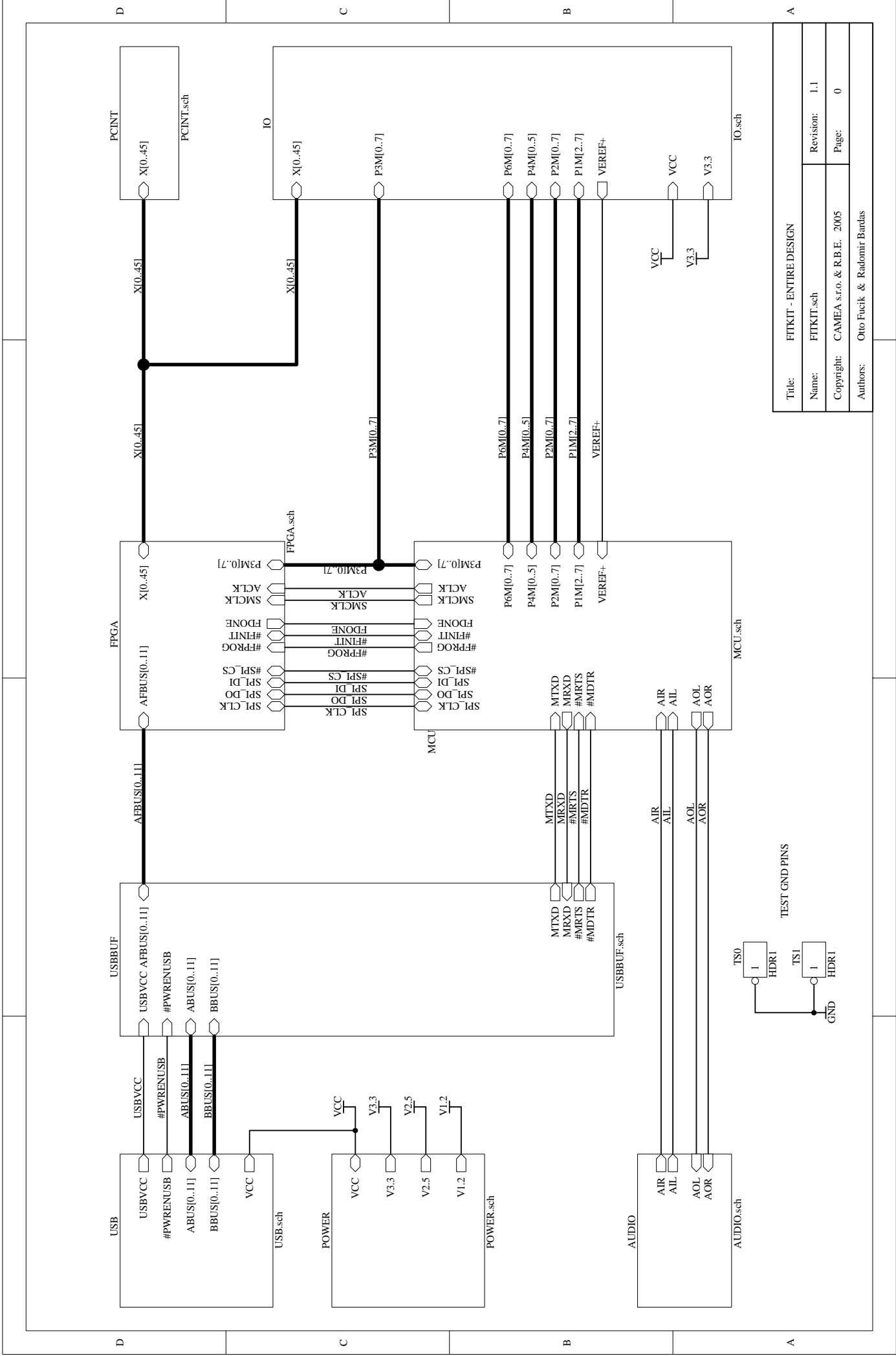
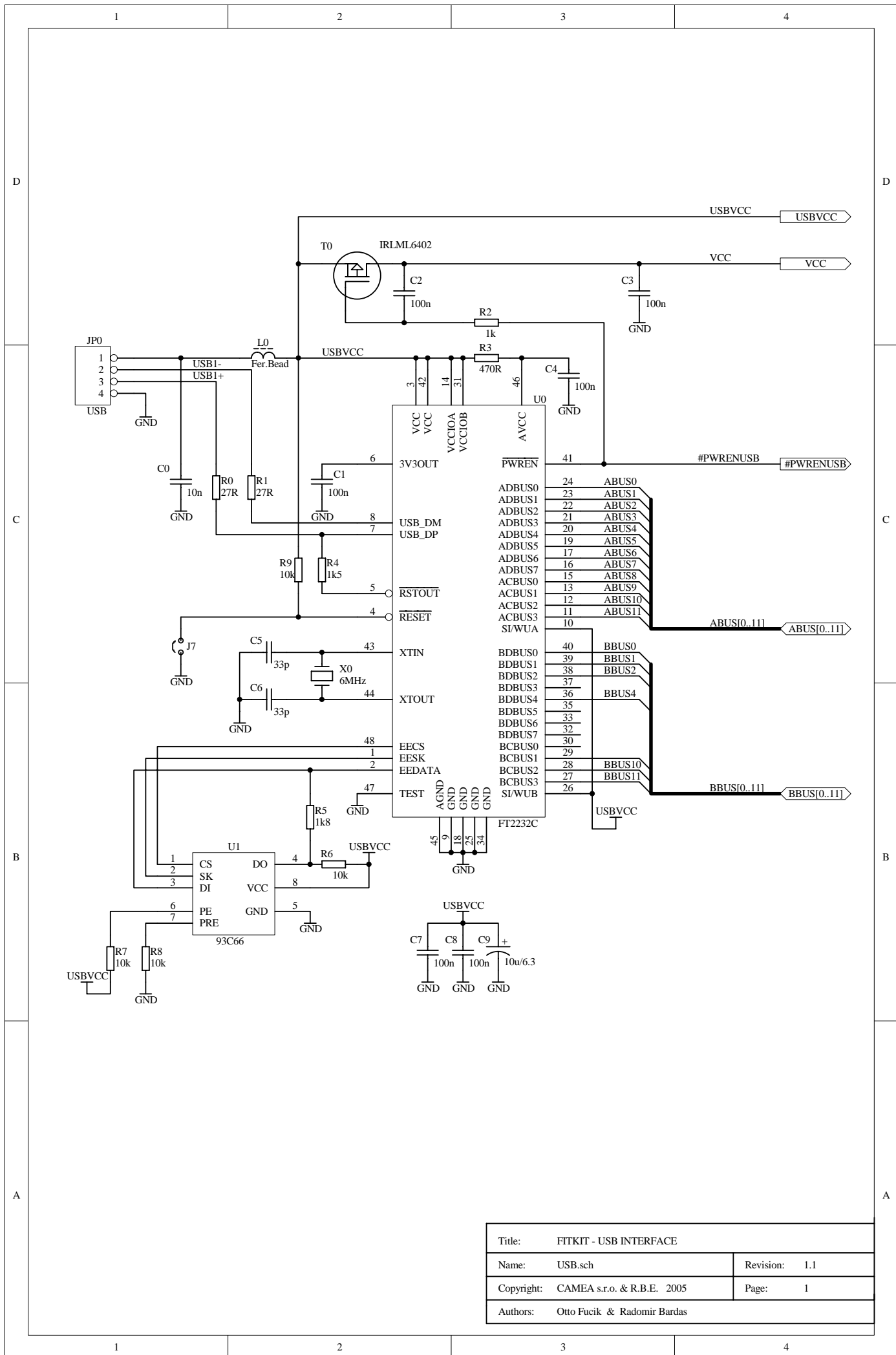


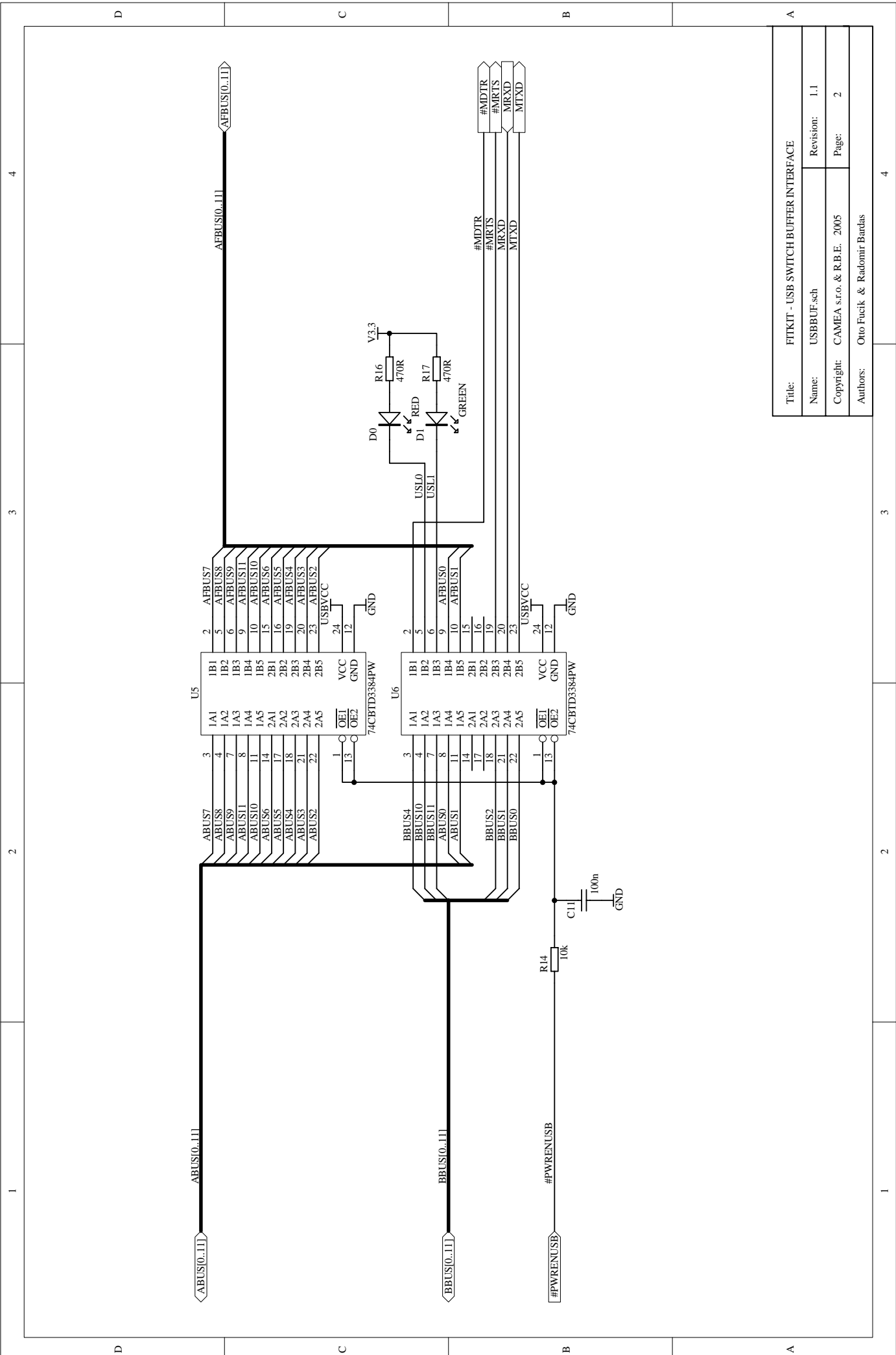
Title: FITKIT - BLOCK DIAGRAM	
Name: FITBOARD.sch	Revision: 1.1
Copyright: CAMEA s.r.o. & R.B.E., 2005	Page: 0
Authors: Otto Fucik & Radomir Bardas	



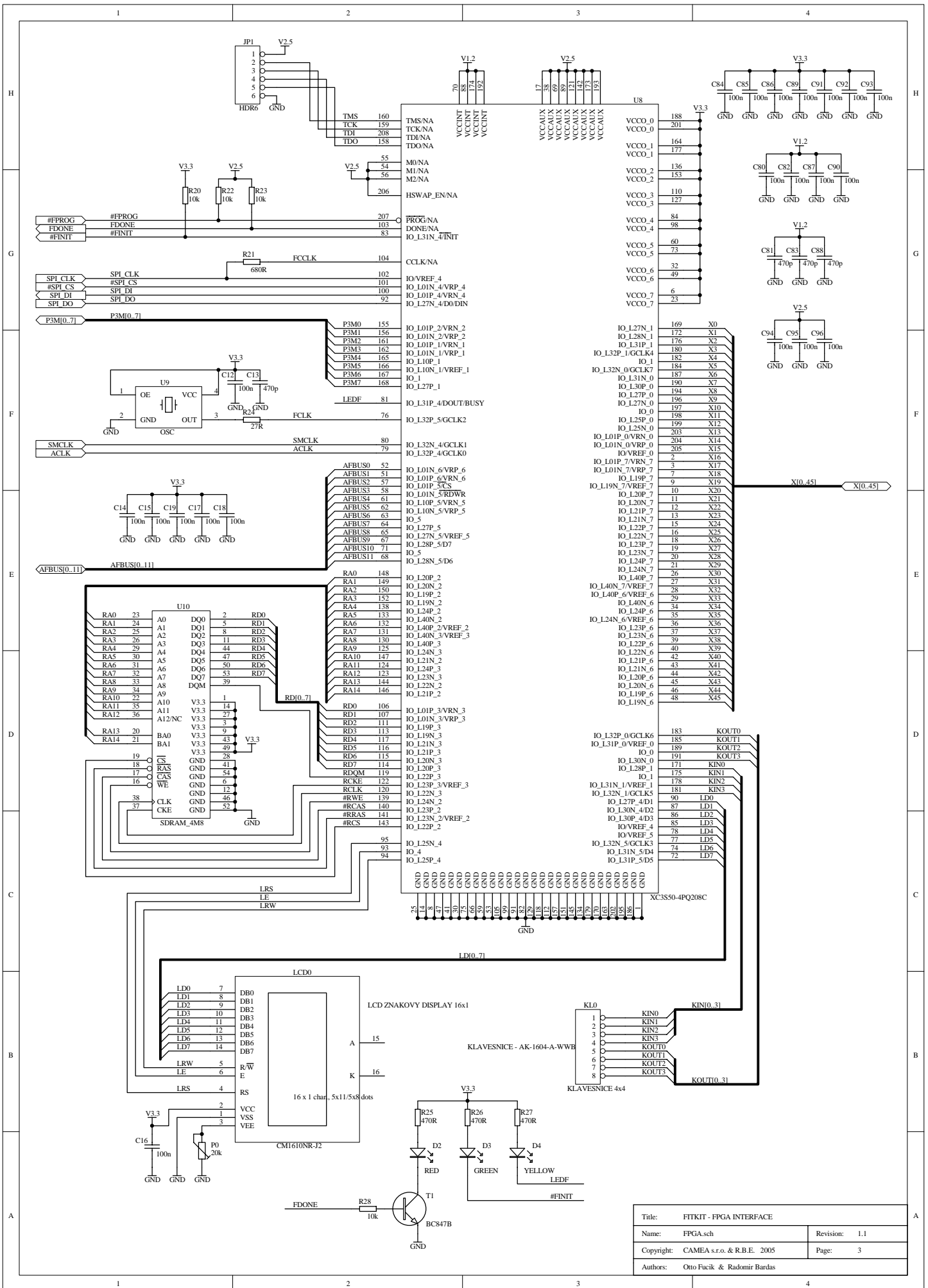
Title: FITKIT - ENTIRE DESIGN	
Name: FITKIT.sch	Revision: 1.1
Copyright: CAMEA s.r.o. & R.B.E., 2005	Page: 0
Authors: Otto Fucik & Radomir Bardas	



Title: FITKIT - USB INTERFACE	
Name: USB.sch	Revision: 1.1
Copyright: CAMEA s.r.o. & R.B.E. 2005	Page: 1
Authors: Otto Fucik & Radomir Bardas	

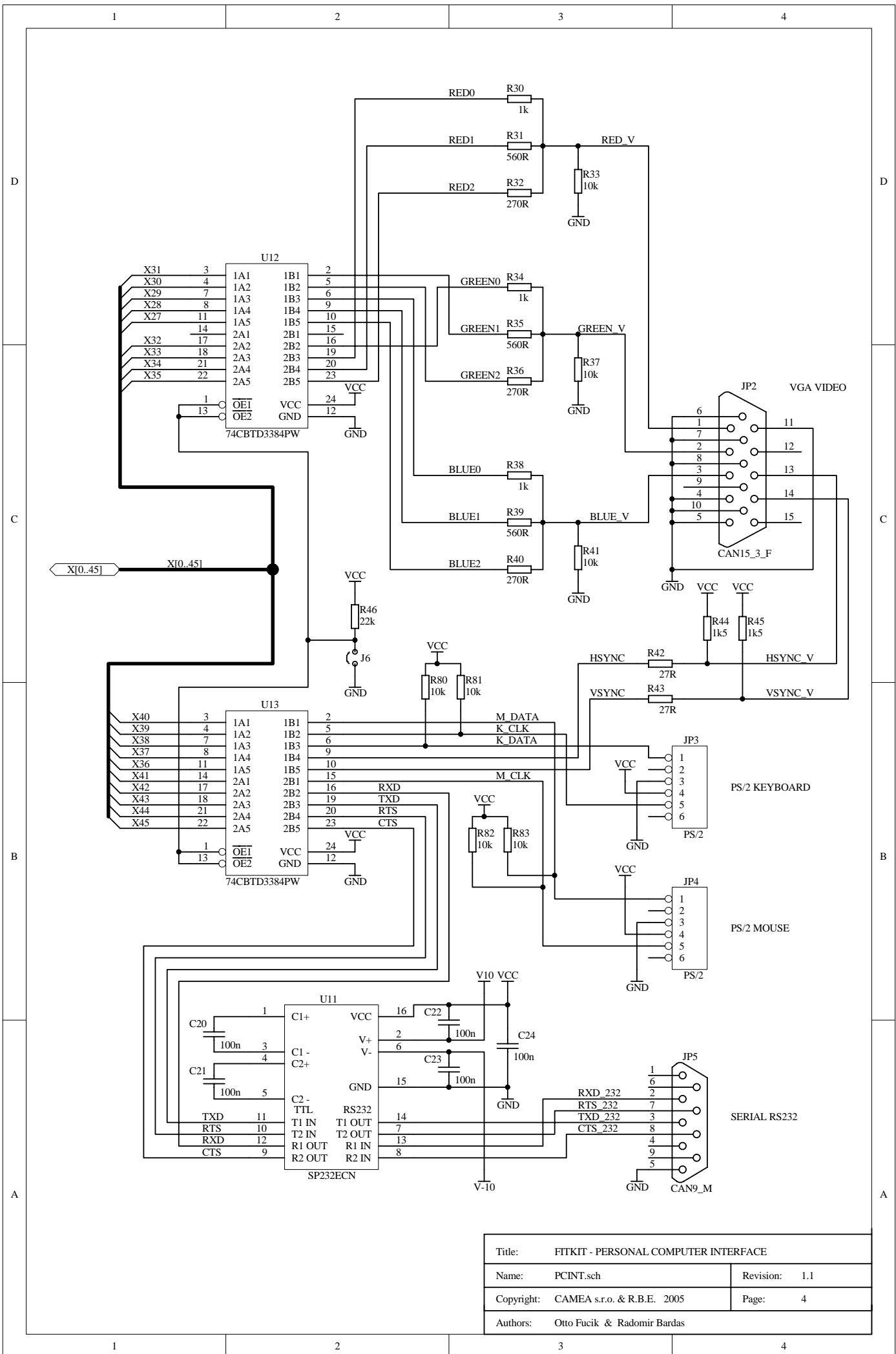


Title: FITKIT - USB SWITCH BUFFER INTERFACE	
Name: USBBUF.sch	Revision: 1.1
Copyright: CAMEA s.r.o. & R.B.E., 2005	Page: 2
Authors: Otto Fucik & Radomir Bardas	

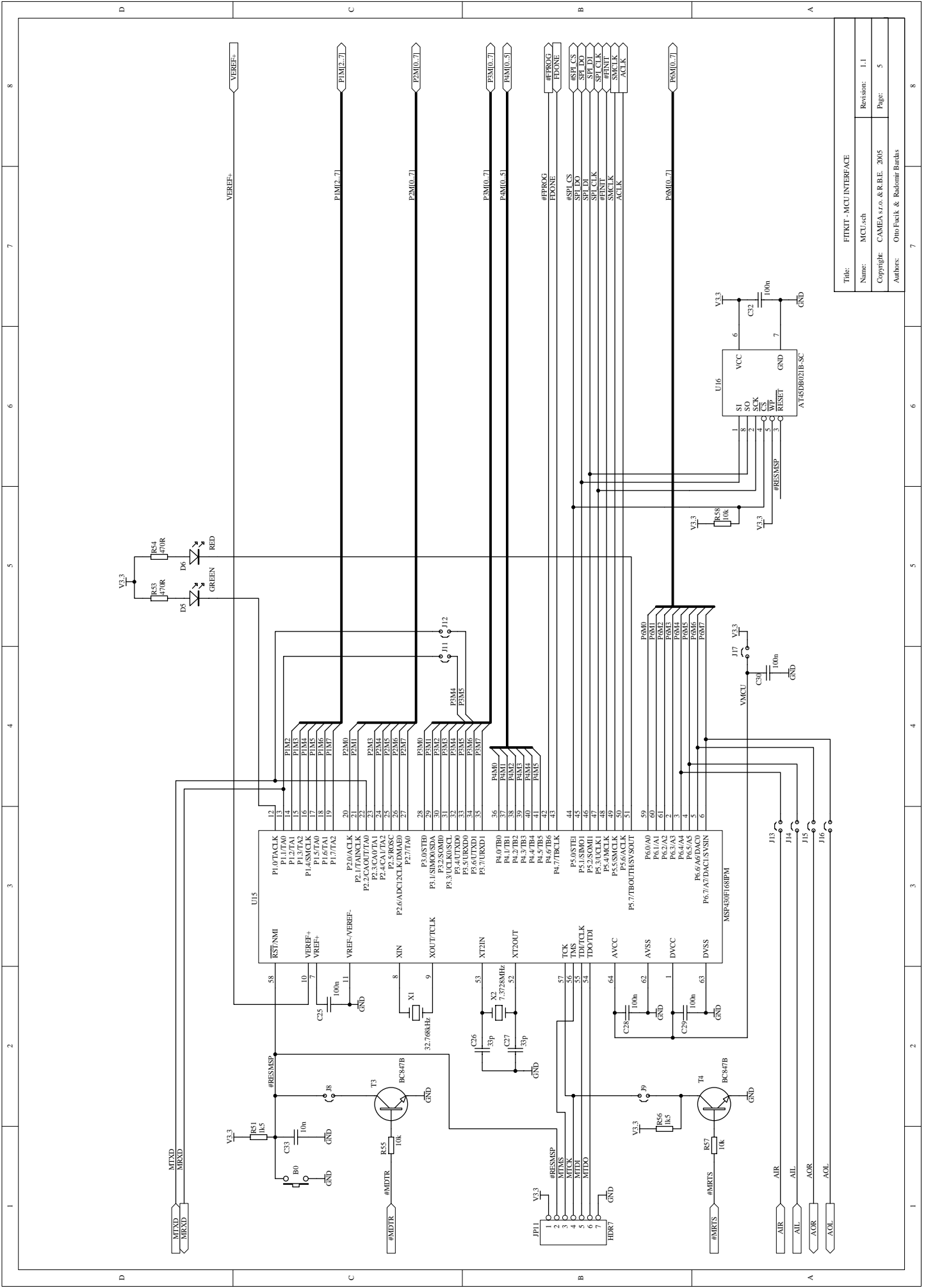


TMS	160	TMS/NA	188	VCC0_0	201	X0	
TCK	159	TCK/NA	177	VCC0_1	164	X1	
TDI	208	TDI/NA	177	VCC0_2	136	X2	
TDO	158	TDO/NA	153	VCC0_3	127	X3	
				VCC0_4	98	X4	
				VCC0_5	73	X5	
				VCC0_6	32	X6	
				VCC0_7	23	X7	
				VCC0_8	84	X8	
				VCC0_9	60	X9	
				VCC0_10	194	X10	
				VCC0_11	187	X11	
				VCC0_12	196	X12	
				VCC0_13	199	X13	
				VCC0_14	204	X14	
				VCC0_15	205	X15	
				VCC0_16	2	X16	
				VCC0_17	3	X17	
				VCC0_18	7	X18	
				VCC0_19	9	X19	
				VCC0_20	10	X20	
				VCC0_21	12	X21	
				VCC0_22	13	X22	
				VCC0_23	15	X23	
				VCC0_24	16	X24	
				VCC0_25	18	X25	
				VCC0_26	19	X26	
				VCC0_27	20	X27	
				VCC0_28	21	X28	
				VCC0_29	26	X29	
				VCC0_30	27	X30	
				VCC0_31	28	X31	
				VCC0_32	29	X32	
				VCC0_33	34	X33	
				VCC0_34	35	X34	
				VCC0_35	36	X35	
				VCC0_36	37	X36	
				VCC0_37	39	X37	
				VCC0_38	40	X38	
				VCC0_39	42	X39	
				VCC0_40	43	X40	
				VCC0_41	44	X41	
				VCC0_42	45	X42	
				VCC0_43	46	X43	
				VCC0_44	48	X44	
				VCC0_45	48	X45	
				VCC0_46	183	KOUT0	
				VCC0_47	185	KOUT1	
				VCC0_48	189	KOUT2	
				VCC0_49	191	KOUT3	
				VCC0_50	171	KIN0	
				VCC0_51	175	KIN1	
				VCC0_52	178	KIN2	
				VCC0_53	181	KIN3	
				VCC0_54	90	LD0	
				VCC0_55	87	LD1	
				VCC0_56	86	LD2	
				VCC0_57	85	LD3	
				VCC0_58	78	LD4	
				VCC0_59	77	LD5	
				VCC0_60	74	LD6	
				VCC0_61	72	LD7	

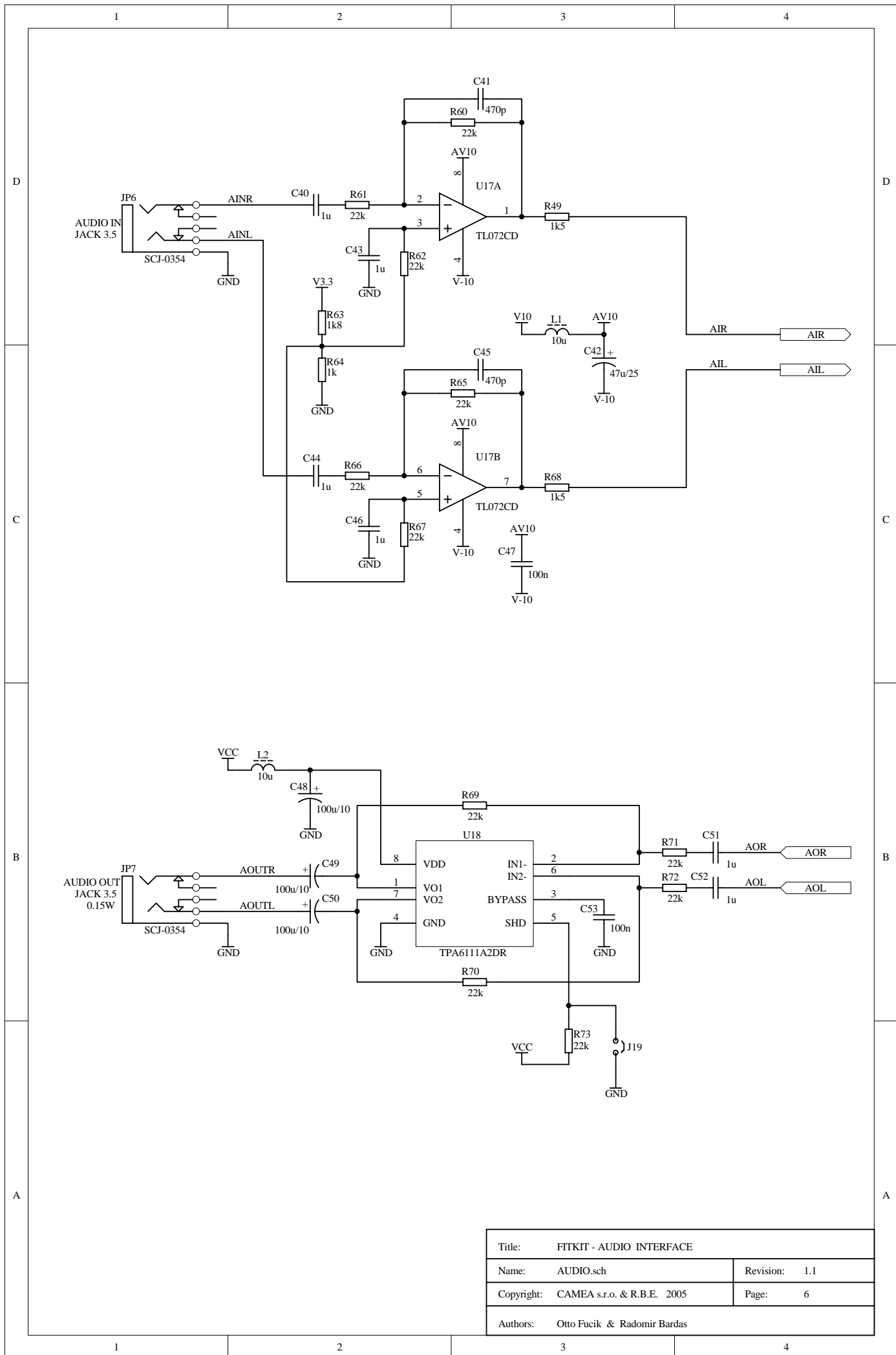
Title: FITKIT - FPGA INTERFACE	
Name: FPGA.sch	Revision: 1.1
Copyright: CAMEA s.r.o. & R.B.E. 2005	Page: 3
Authors: Otto Fucik & Radomir Bardas	



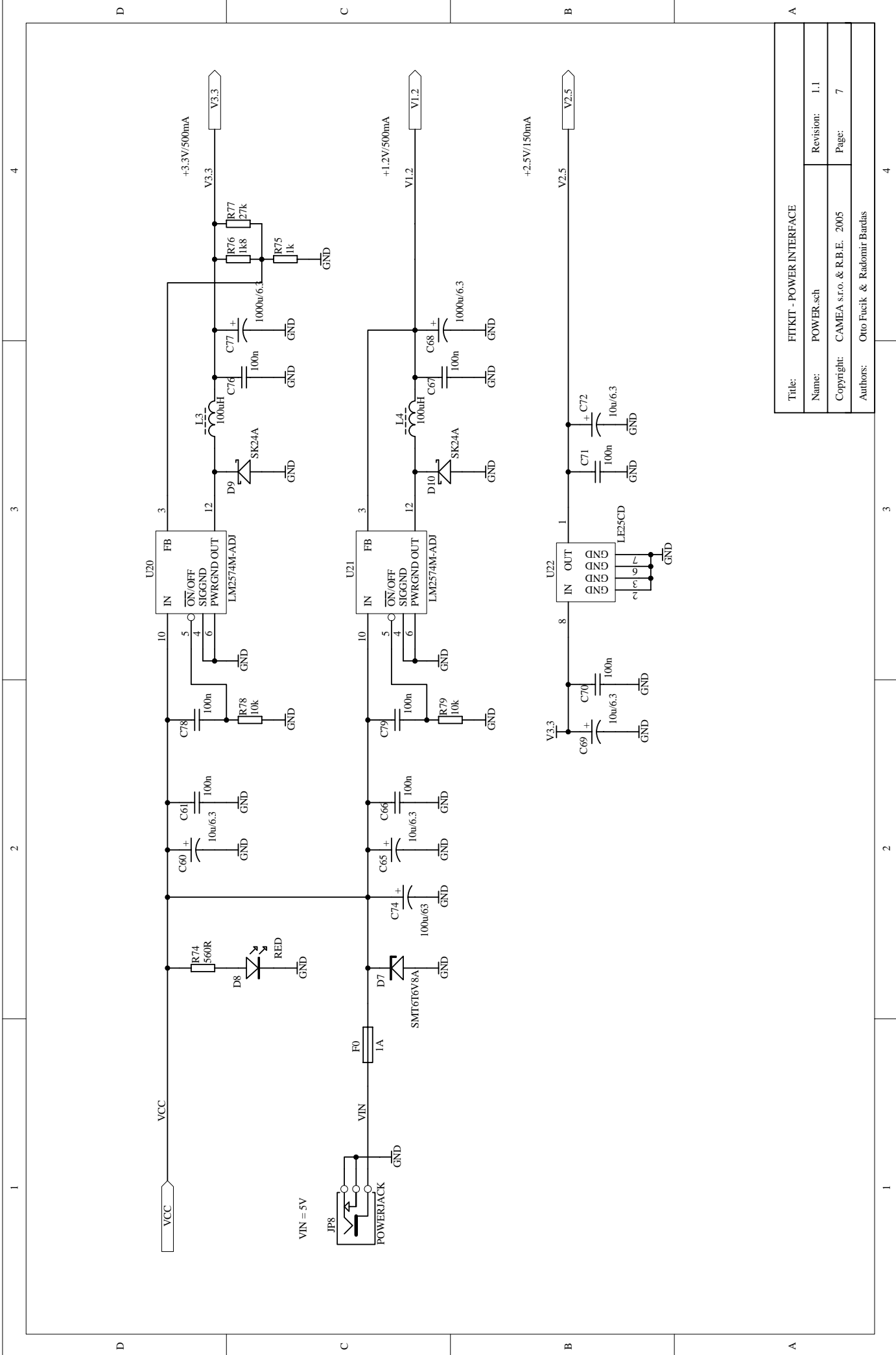
Title: FITKIT - PERSONAL COMPUTER INTERFACE	
Name: PCINT.sch	Revision: 1.1
Copyright: CAMEA s.r.o. & R.B.E. 2005	Page: 4
Authors: Otto Fucik & Radomir Bardas	



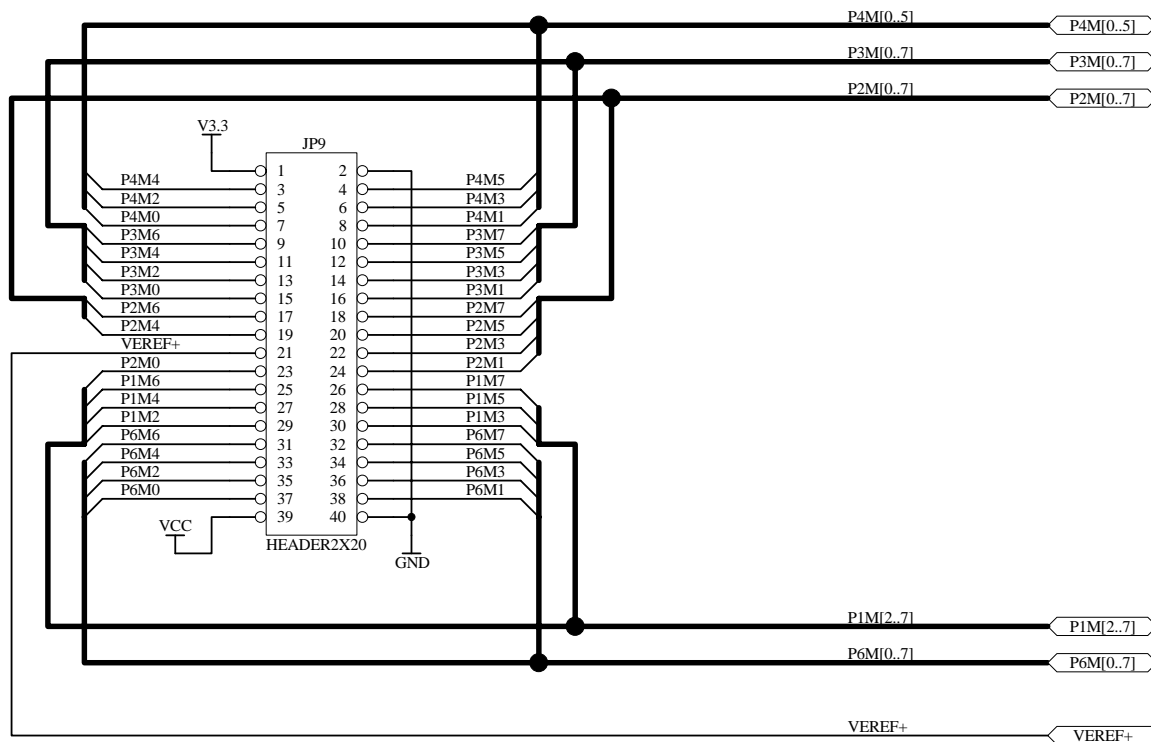
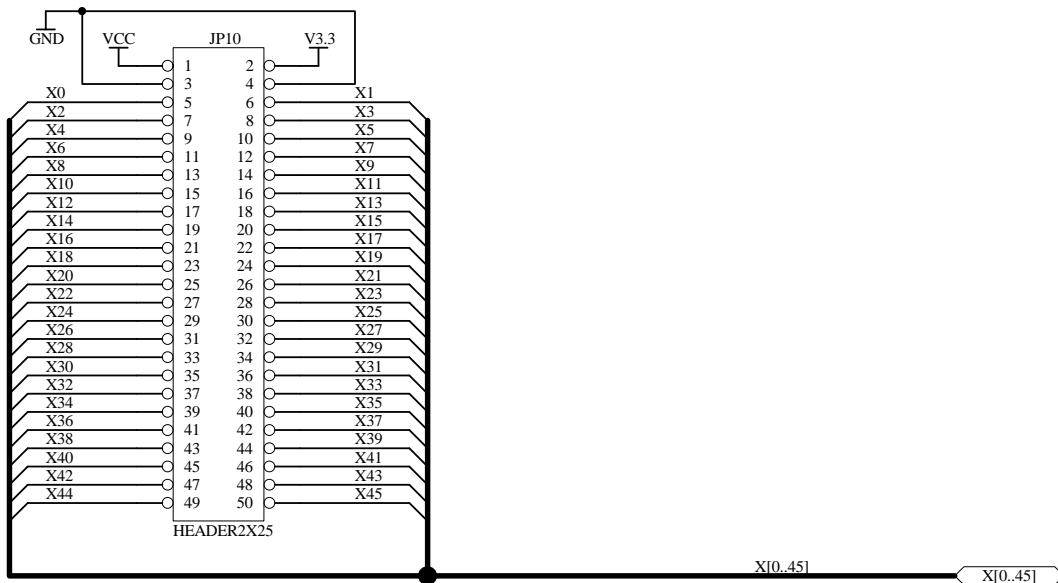
Title:	FT232RL-ATmega8515
Name:	MCU.sch
Revision:	1.1
Copyright:	CAMEA s.r.o. & R.B.E. 2005
Page:	5
Authors:	Oto Fack & Radoimir Bardas



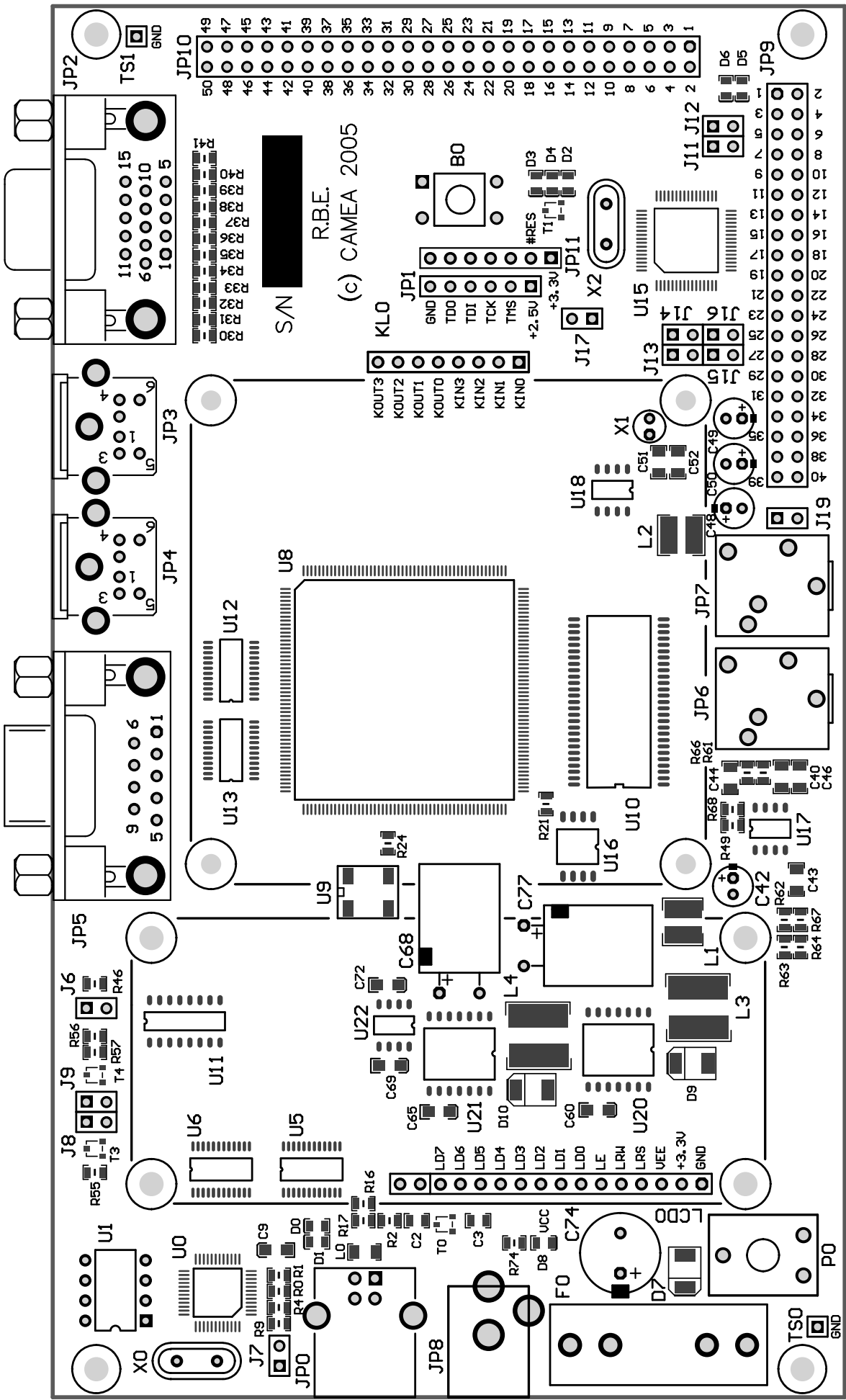
Title: FITKIT - AUDIO INTERFACE	
Name: AUDIO.sch	Revision: 1.1
Copyright: CAMEA s.r.o. & R.B.E. 2005	Page: 6
Authors: Otto Fucik & Radomir Bardas	



Title: FITKIT - POWER INTERFACE	
Name: POWER.sch	Revision: 1.1
Copyright: CAMEA s.r.o. & R.B.E., 2005	Page: 7
Authors: Otto Fucik & Radomir Bardas	



Title: FITKIT - INPUT/OUTPUT INTERFACE	
Name: IO.sch	Revision: 1.1
Copyright: CAMEA s.r.o. & R.B.E. 2005	Page: 8
Authors: Otto Fucik & Radomir Bardas	



50	49	48	47	46	45	44	43	42	41	40	39	38	37	36	35	34	33	32	31	30	29	28	27	26	25	24	23	22	21	20	19	18	17	16	15	14	13	12	11	10	9	8	7	6	5	4	3	2	1
----	----	----	----	----	----	----	----	----	----	----	----	----	----	----	----	----	----	----	----	----	----	----	----	----	----	----	----	----	----	----	----	----	----	----	----	----	----	----	----	----	---	---	---	---	---	---	---	---	---

R30	R31	R32	R33	R34	R35	R36	R37	R38	R39	R40	R41	R42	R43	R44	R45	R46	R47	R48	R49	R50	R51	R52	R53	R54	R55	R56	R57	R58	R59	R60	R61	R62	R63	R64	R65	R66	R67	R68
-----	-----	-----	-----	-----	-----	-----	-----	-----	-----	-----	-----	-----	-----	-----	-----	-----	-----	-----	-----	-----	-----	-----	-----	-----	-----	-----	-----	-----	-----	-----	-----	-----	-----	-----	-----	-----	-----	-----

S/N

KINO	KINI	KIN2	KIN3	KOUT0	KOUT1	KOUT2	KOUT3
------	------	------	------	-------	-------	-------	-------

D1	D2	D3	D4	D5	D6
----	----	----	----	----	----

1	2	3	4	5	6	7	8	9	10	11	12	13	14	15	16	17	18	19	20	21	22	23	24	25	26
---	---	---	---	---	---	---	---	---	----	----	----	----	----	----	----	----	----	----	----	----	----	----	----	----	----

GND	TS0	P0	F0	D7	D8	UCC	VCC	R74
-----	-----	----	----	----	----	-----	-----	-----